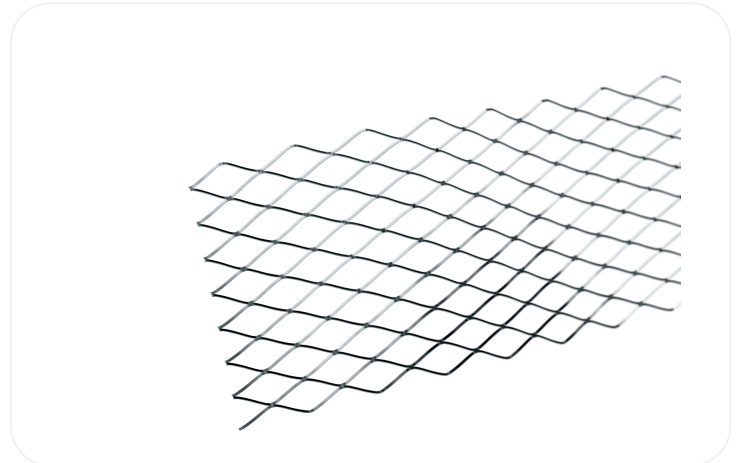


Galvanised Steel Expanded Coil Mesh CM64/20

Catnic Coil Mesh is an expanded steel mesh used as a non-structural anti-crack reinforcement in the design and construction of brick and block masonry.

Application and installation of plaster beads should be in accordance with BS 5492:1990 Code of Practice for internal plastering and BS 5262:1991 Code of Practice for external renderings



Options

Product Code	Weight (g/m ²)	Length (mm)	Finish	Pack Size
CM64/20	1.08	20000	GALVANISED	EA

Application

To reinforce brickwork at an opening, e.g. window or door, expanded coil reinforcement mesh should be installed to overlap part of the opening, and part of the solid wall. Thinking of the width of the opening, lay the mesh approximately a quarter of the way across the opening. The mesh should lie the same distance again, across the solid wall. Above windows or doors, install Catnic mesh for 2-3 courses, starting from the course above the lintel as shown below.

Generally installed at areas of high stress concentration to dissipate these stresses to areas of low stress. A typical example would be at a point where the section of wall changes, such as at a door or window opening. The cracking of masonry due to changes in temperature, changes in moisture content and settlement of foundations can all be controlled by the use of block reinforcement.

Note: Expanded coil reinforcement mesh is laid in strips between brick or block courses leaving approximately 25mm clearance from the faces of the work. Where the expanded coil mesh joins are required, ensure they overlap by at least 75mm. The reinforcement is then simply embedded in the mortar for the next course. In most instances, application every third course, for the full length of the wall, will be sufficient. For external wall applications use stainless steel product.

To reinforce brickwork at an opening, e.g. window or door, expanded coil reinforcement mesh should be installed to overlap part of the opening, and part of the solid wall. Thinking of the width of the opening, lay the mesh approximately a quarter of the way across the opening. The mesh should lie the same distance again, across the solid wall. Above windows or doors, install Catnic mesh for 2-3 courses, starting from the course above the lintel as shown below.

Manufactured from galvanised steel to BS EN 10346 – DX51D+Z275 in accordance with BS EN 13658-1: Metal Lath and beads - definitions, requirements and test methods. Internal Plastering.

Catnic

Pontypandy Industrial Estate Caerphilly CF83 3GL United Kingdom
+44 (0)29 2033 7900 | catnic.technical@tatasteeleurope.com

www.catnic.com

Care has been taken to ensure that the contents of this publication are accurate, but Tata Steel Europe Limited and its subsidiaries, which includes Tata Steel UK Limited, do not accept responsibility or liability for errors or information that is found to be misleading. Before using products or services supplied or manufactured by Tata Steel Europe Limited and its subsidiaries, customers should satisfy themselves as to their suitability.

© Copyright 2024 Tata Steel UK Limited.