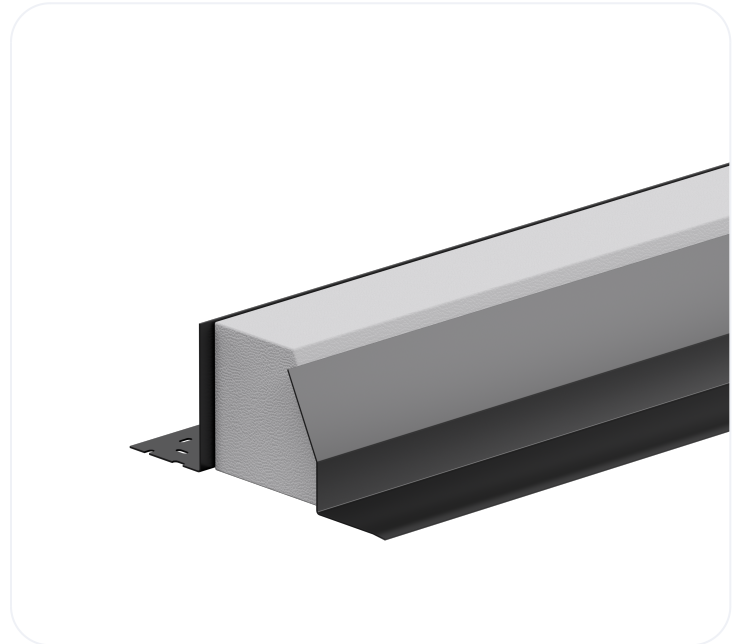


# Standard Duty Steel Lintel

## TS170/100

Steel lintel with unique thermal break for use in cavity wall construction, designed to support typical masonry, timber floor and roof loads found in most buildings and suitable for fairfaced inner leaf masonry. The easy to use open back profile allows masonry to be built up continuously on both outer and inner leaf, available in standard, heavy, and extra heavy duty from 90-205mm cavities. Fully insulated, with complete thermal break, integral plaster key and Catnic's signature black powder coating.

<b>Wall Construction</b>	CAVITY WALL
<b>Inner Leaf</b>	100-115
<b>Outer Leaf</b>	100-102
<b>Cavity</b>	170-185
<b>Loading Conditions</b>	STANDARD DUTY



## Specification

Product Code	Standard Length (mm)	SWL (kN) 1:1/3:1	Weight (kg)	Nominal Height (mm)
TS170/1000750	750	15	6.23	153
TS170/1000900	900	15	7.47	153
TS170/1001050	1050	15	8.72	153
TS170/1001200	1200	15	9.96	153
TS170/1001350	1350	15	11.21	153
TS170/1001500	1500	15	12.45	153
TS170/1001650	1650	18	20.26	202
TS170/1001800	1800	18	22.10	202
TS170/1001950	1950	20	23.95	202
TS170/1002100	2100	20	25.79	202
TS170/1002250	2250	22	36.56	233
TS170/1002400	2400	22	39.00	233
TS170/1002550	2550	26	41.44	233
TS170/1002700	2700	26	43.88	233
TS170/1002850	2850	26	49.22	229**
TS170/1003000	3000	26	51.81	229**
TS170/1003300	3300	26	56.99	229**
TS170/1003600	3600	26	62.17	229**

- \*\* Channel to inner leaf
- The SWL (safe working load) is based on the total UDL (uniform distributed load) over maximum span using 150mm end bearings.
- Standard lengths are available in increments of 150mm at lengths up to 3000mm, 300mm at lengths from 3000mm to 3600mm.

- Separate DPC tray required
- Achieving a remarkably low Psi value ensures this Catnic lintel will always meet the performance criteria requirements of Appendix Q found in SAP 2012 providing easy compliance with Part L of the Building Regulations

## Benefits

- Psi values of 0.02 to 0.05 W/mK
- Duplex Corrosion Protection
- Integral Plaster Key
- Integral Insulation

- Made in the UK for a lower carbon footprint and certified to BES 6001 Responsible Sourcing standard.
- Made using lower carbon manufacturing
- Designed to maximise energy saving at home
- It is possible to reuse all of our lintels, providing that they are not damaged. Contact our technical team for more information

**Note:** Whilst the above information is intended to offer general guidance regarding typical applications, it should not be considered as comprehensive. Requirements not fully covered by the above should be referred to our technical services department for individual consideration.

### Catnic

Pontypandy Industrial Estate Caerphilly CF83 3GL  
United Kingdom

+44 (0)29 2033 7900

[catnic.technical@tatasteeleurope.com](mailto:catnic.technical@tatasteeleurope.com)

[catnic.com](http://catnic.com)

### Tata Steel UK Limited

18 Grosvenor Place, London, SW1X 7HS  
Registered in England No. 02280000

Care has been taken to ensure that the contents of this publication are accurate, but Tata Steel Europe Limited and its subsidiaries, which includes Tata Steel UK Limited, do not accept responsibility or liability for errors or information that is found to be misleading. Before using products or services supplied or manufactured by Tata Steel Europe Limited and its subsidiaries, customers should satisfy themselves as to their suitability.

© Copyright 2026 Tata Steel UK Limited