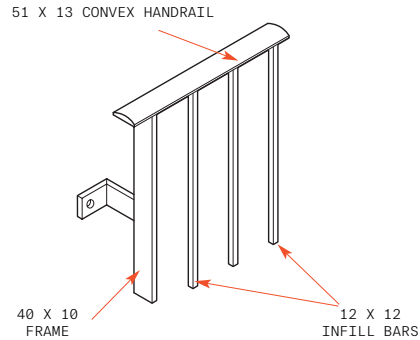
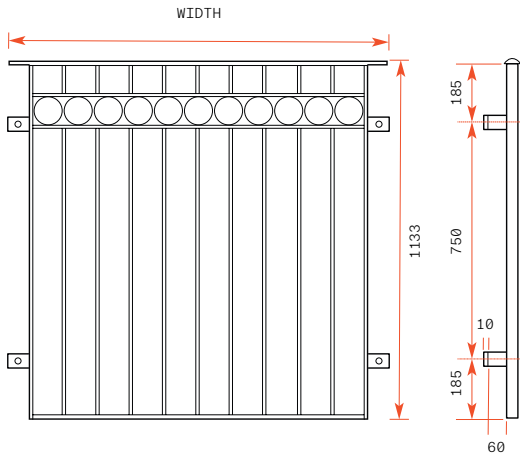


Juliet Balconies

Named after the famous balcony scene from Shakespeare's Romeo and Juliet the shallow balcony is designed to provide a decorative safety barrier in front of French windows.



Juliet Balconies are ideal for:

- ✓ Housing developments
- ✓ Hospitals
- ✓ Apartments
- ✓ Nursing homes
- ✓ Three storey townhouses
- ✓ Student accomodation
- ✓ Schools

Standard Designs

The standard range of Juliet Balconies offers three classic balcony designs available to choose from.

Standard Sizes

Catnic standard range of Juliet Balconies are available in width increments of 100mm from 1200mm to 3000mm*. As a general guideline to determine the size of balcony required take the clear opening width and add 300mm and select the next available incremental width.

*Usk range only available up to 2500mm

For example

1. Clear opening 1350mm.
2. Add 300mm 1650mm.
3. Actual balcony size 1700mm.

Catnic

Pontypandy Industrial Estate Caerphilly CF83 3GL United Kingdom

+44 (0)29 2033 7900 | catnic.technical@tatasteelurope.com

www.catnic.com

Care has been taken to ensure that the contents of this publication are accurate, but Tata Steel Europe Limited and its subsidiaries, which includes Tata Steel UK Limited, do not accept responsibility or liability for errors or information that is found to be misleading. Before using products or services supplied or manufactured by Tata Steel Europe Limited and its subsidiaries, customers should satisfy themselves as to their suitability.

© Copyright 2022 Tata Steel UK Limited.

Usk



Finish

All Juliet Balconies are fully submerged in a zinc bath after manufacture, to BS EN ISO 1461:1999, fully protecting every surface, cut edge and weld with a metallurgically bonded zinc coating. In addition, a black powder coated finish is available on request.

Bespoke Designs

To discuss your requirements please contact Catnic technical services on **029 2033 7900**.

Installation

Depending on the wall construction, balconies can generally be face fixed to the external leaf of the building using 4 masonry fasteners* (not included). All balconies (unless otherwise specified) incorporate pre-drilled fixing brackets suitable for M12 masonry fasteners.

A balcony that is 300mm wider than the clear opening will have a minimum distance of 139mm from the centre of the fixing to the edge of the clear opening. The required minimum edge distance for the fixing will depend on the fixing type/wall construction and should be checked by a structural engineer.

Monmouth



Catnic Recommended Balcony Installer

Installation service is available from Catnic Approved Balcony Installers. Please contact Catnic customer services on 029 2033 7900 to find your local installer.

Availability

Juliet Balconies are available to order through any Catnic stockist. All standard Juliet Balconies are available in 15 working days from receipt of order. Lead times for non-standard sizes and/or designs are available upon request.

Prices

Prices available on application. Contact your Catnic Area Sales Manager or Catnic Customer Services on **029 2033 7900**.

Brecon



Regulatory Authorities Approval

All balconies are designed, manufactured and tested to meet building regulations and NHBC technical requirements.

Catnic Juliet Balconies are compliant with:

- Building Regulations Part K2:1998 (2000).
- BS 6180:2011 Code of practice for protective barriers in and about buildings.

Note: * Fixings are not supplied by Catnic. Fixings are to be determined by the project's structural engineers on the assumption that the wall construction is capable of withstanding the applied load in line with BS 6399 Part 1.

Catnic

Pontypandy Industrial Estate Caerphilly CF83 3GL United Kingdom
+44 (0)29 2033 7900 | catnic.technical@tatasteelurope.com
www.catnic.com

Care has been taken to ensure that the contents of this publication are accurate, but Tata Steel Europe Limited and its subsidiaries, which includes Tata Steel UK Limited, do not accept responsibility or liability for errors or information that is found to be misleading. Before using products or services supplied or manufactured by Tata Steel Europe Limited and its subsidiaries, customers should satisfy themselves as to their suitability.

© Copyright 2022 Tata Steel UK Limited.